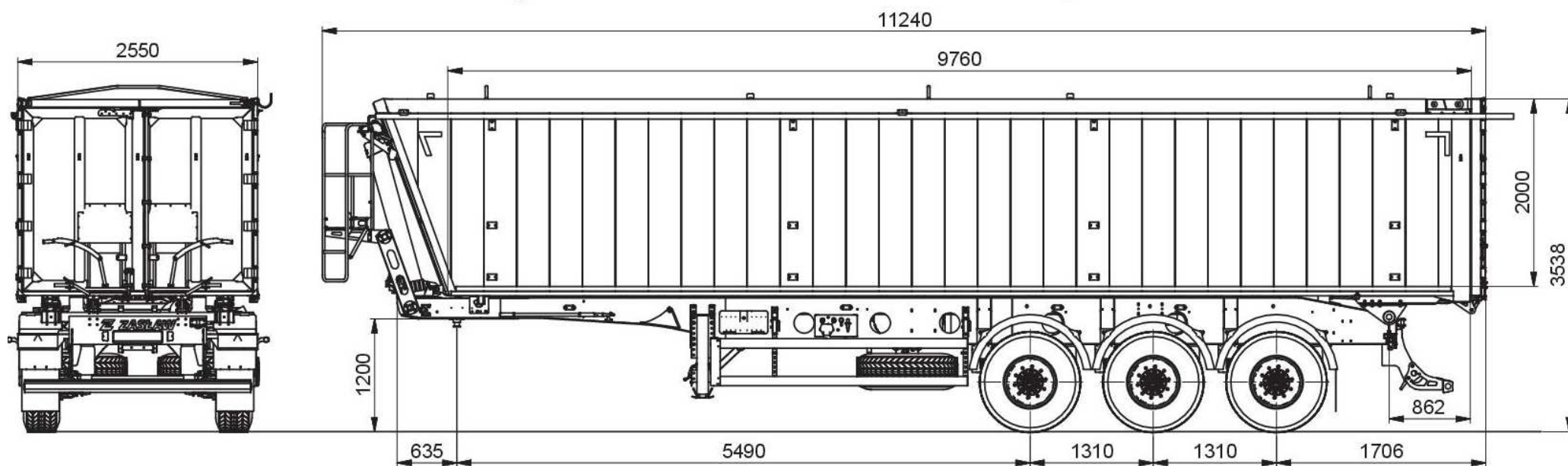


V = 50 m³, A: 11.240 mm, E: 3.536 mm B: 9.760 mm, F: 2.000 mm

Wywrotka NW.97.20.AKD.S - 50,2 m³



www.zaslaw-trails.pl / mail: info@zaslaw-trails.pl